



Stereo Active Speaker Reference Design

Sontia's outstanding Stereo Active Speaker Reference Design incorporates the impressive Sontia SPT 'linear phase' sound and delivers a simply breathtaking improvement over conventional stereo speakers.

Sontia's SPT (Stable Phase Technology) solutions are a range of innovative audiophile-grade sound technologies that dramatically deliver outstanding performance from any speaker in almost any sound product.

As part of range of licensee product support packages, Sontia is pleased to offer a full reference design for a great-sounding, high-quality pair of Stereo Active Speakers. This design incorporates the best of the Sontia SPT 'linear phase' family, including 3D acoustic imaging, phase correction, dynamic bass enhancement and digital crossover. It delivers exceptionally clear, natural, life-like and 3-dimensional sound.

Reference Design Includes:

- full electronics circuit diagrams and Bill of Materials
- software/firmware for DSP and microcontroller
- recommendations and sourcing for speaker drivers
- PCB Gerber files and assembly notes.

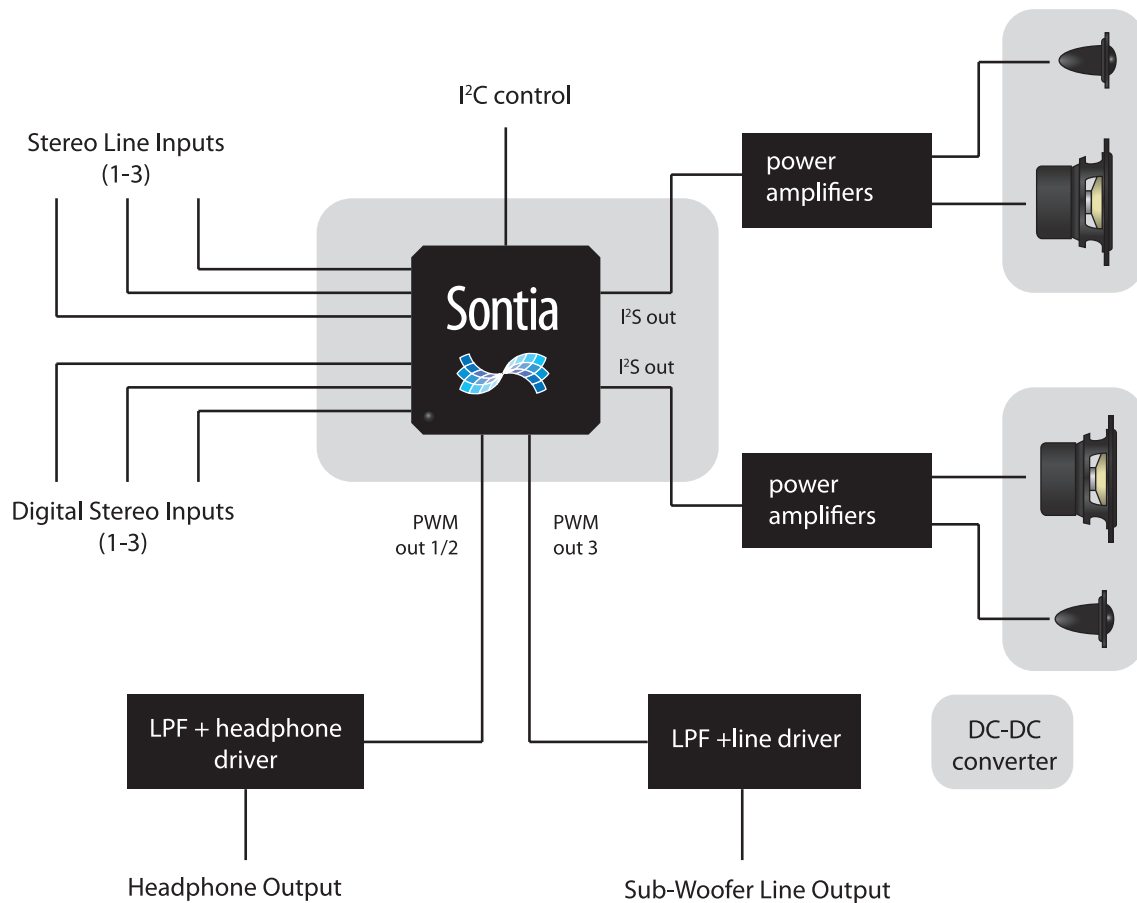
Product Key Features:

- incorporates the innovative, stunning Sontia sound
- 4 amplifiers into 2 (L/R) channels; 80W total RMS
- Class D amplifiers
- line-level and digital inputs
- sub-woofer and headphone outputs.



"[with Sontia turned on] the sound changed entirely, making it more than simply '2.0' sound... it performed beautifully...bass portrayed huge resonance; sound seemed like a live performance" (review in EE Times)

Architecture



Technical Data

Output Power: 80W RMS (4 x 20W) to drive dual stereo (L/mid, L/high, R/mid, R/high)

Class D amplifiers

THD: typically 0.05%

Dynamic Range: typically 105dB

Frequency Range (-3dB): 40Hz–25kHz

External Inputs/Outputs:

S/PDIF Digital Audio Input (3x): 3x coaxial, RCA phono. 16 bit linear stereo PCM. Supported sample rates: 44.1ksp/s and 48ksp/s.

Stereo Line Level Audio Input (3x): 3x RCA phono. Up to 2V RMS. Input impedance: 50k Ω

Stereo Headphone Output (1x): 40mW into 32 Ω , front-mounted

Sub-Woofer Line Level Output (1x): 1.7V RMS into 10k Ω

All information is subject to change. Please check with Sontia for the most recent specifications and details.